

300# GROOVED END BUTTERFLY VALVE – Lever Handle

Figure: GBV-3000 Series



Valves to MSS-SP67 & API 609
 Valves conform to AWWA C-606
 Maximum operating temperature:
 EPDM encapsulated disc: 121°C (250°F)
 Buna-N encapsulated disc: 88°C (190°F)

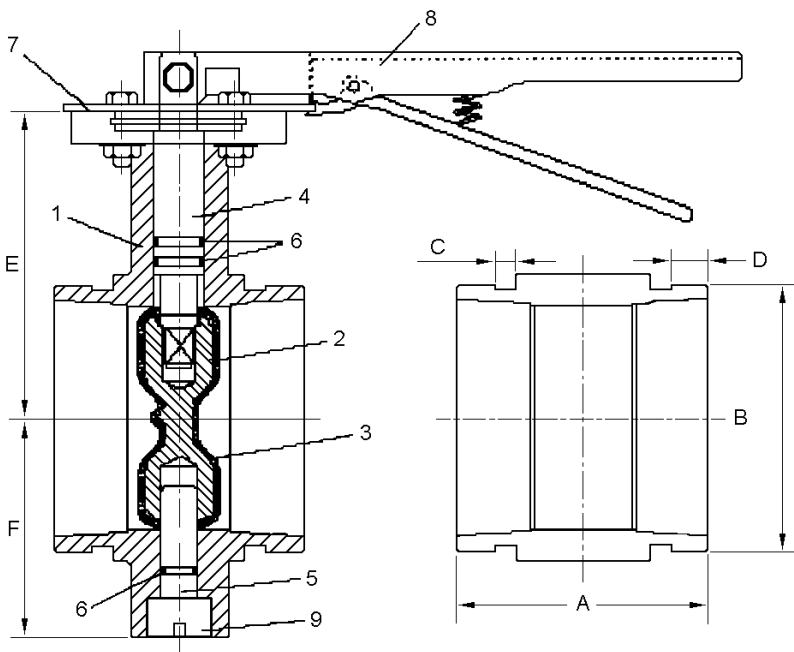
Materials:

No.	Part Name	Specifications
1	Body	Ductile iron A536
2	Disc	Ductile iron A536
3	Rubber lining	EPDM aa
4	Upper stem	Stainless steel A433 410
5	Lower stem	Stainless steel A433 410
6	O-Ring	Buna-N aa
7	Position plate*	Carbon steel A27-91 65-35
8	Lever handle	Malleable iron A47-90 22010
9	Plug	Steel

Test Pressure	Shell: 450 psi
	Seat: 330 psi

Options:

- Buna-N lining on disc
- Manual gear operator, electric or pneumatic actuation.



Dimensions:

Size		A		B		C		D		E		F		Weight	
in	mm	in	mm	in	mm	in	mm	in	mm	in	mm	in	mm	lb	kg
2	50	3.2	81	2.4	60	.31	8	.63	16	3.3	85	2.2	57	5.9	2.7
2½	65	3.8	97	2.9	73	.31	8	.63	16	4.2	106	2.6	65	7.5	3.4
3	80	3.8	97	3.5	89	.31	8	.63	16	4.4	113	3.0	75	8.6	3.9
4	100	4.6	116	4.5	114	.39	10	.63	16	5.3	135	3.5	90	11.9	5.4
5	125	5.8	148	5.6	141	.39	10	.63	16	5.8	148	4.3	110	20	9.1
6	150	5.8	148	6.6	168	.39	10	.63	16	7.1	181	4.9	124	23	10.5
8	200	5.3	134	8.6	219	.43	11	.75	19	8.0	204	6.1	155	37.4	17
10	250	6.3	159	10.7	273	.51	13	.75	19	9.1	230	7.5	190	84	38.1
12	300	6.5	166	12.8	324	.51	13	.75	19	10.6	270	9.1	230	100	45.4